

ADDENDA NO. 1

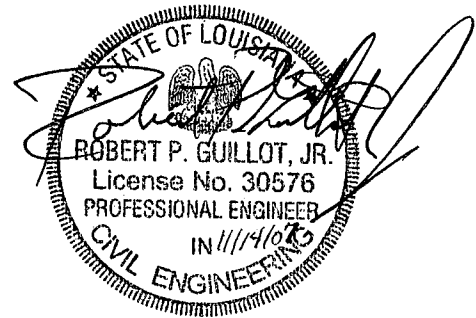
Page 1 of 1

RAW WATER INTAKE STRUCTURE TOWN OF GRAMERCY, LA

DATE ISSUED: November 14, 2007
BID DATE: November 26, 2007

EES PROJECT NO. 0717

This Addenda shall be considered as included and/or amended in the original Contract Documents and shall take precedence over any part of the original documents or previous addendum in conflict therewith. This Addenda contains 3 page. All bidders shall ensure all sheets of this Addenda are enclosed. If sheets are missing from this Addenda, it is the responsibility of the Bidder to notify the Engineer seventy-two (72) hours prior to the bid date and time.



I. SPECIFICATIONS

Administrative Section

A. Advertisement for Bids (pg 00010-1)

1. First Paragraph

Delete the first paragraph on the first page (00010-1) of the Advertisement for Bids and **Replace** it with the following paragraph:

“Sealed bids will be received by the Town of Gramercy at Town Hall until 10:00am o’clock on the 26th day of November, 2007. The bids will be opened and read aloud at the time and location.”

II. DRAWINGS

Sheet No. 1

1. **Change** all references to 16” HDPE DR9, casing to 24” HDPE DR9 IPS casing.

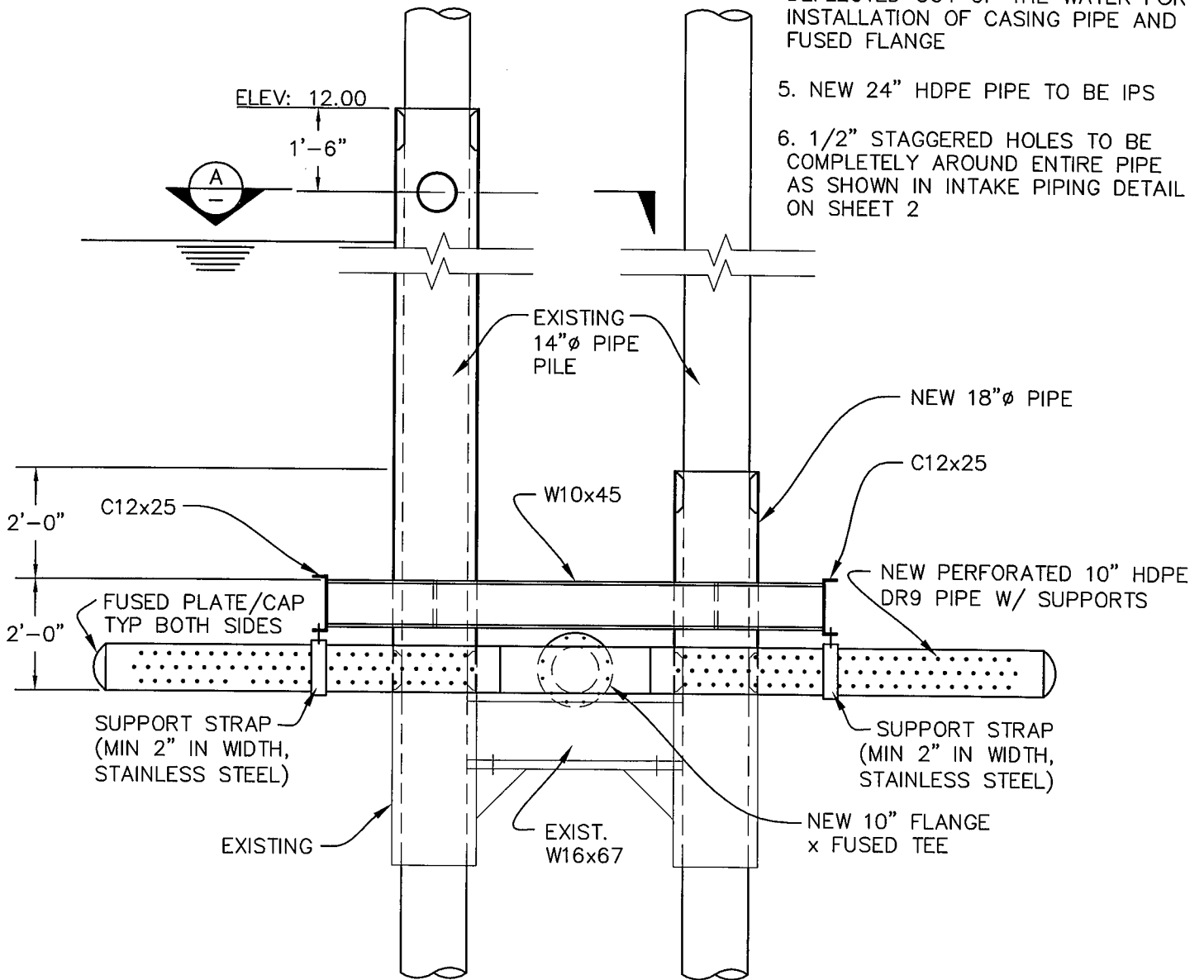
Sheet No. 2

1. **Remove** the *Influent Support Structure Profile Detail* and **Replace** it with the enclosed Sheet A1 *Influent Support Structure Profile Detail*.
2. **Add** the attached casing detail sheet A2 to Sheet 2.

END OF SECTION

NOTE:

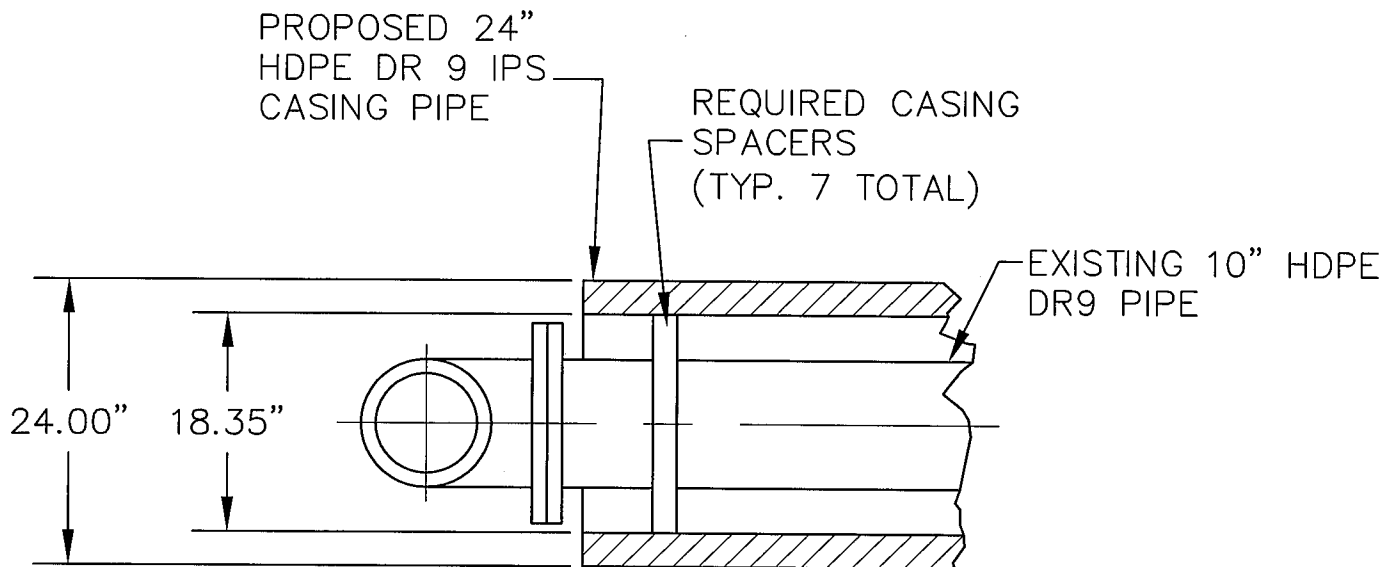
1. CONTRACTOR TO STRAIGHTEN EXISTING PILES TO ACCOMMODATE NEW SUPPORT BRACKET
2. ALL CLAMPS, STRAPS, ETC. SHALL BE STAINLESS STEEL.
3. FIELD VERIFY IF EXISTING 10" HDPE PIPE IS IPS OR DIPS
4. EXISTING 10" HDPE PIPE CAN BE DEFLECTED OUT OF THE WATER FOR INSTALLATION OF CASING PIPE AND FUSED FLANGE
5. NEW 24" HDPE PIPE TO BE IPS
6. 1/2" STAGGERED HOLES TO BE COMPLETELY AROUND ENTIRE PIPE AS SHOWN IN INTAKE PIPING DETAIL ON SHEET 2



PROFILE

INFLUENT SUPPORT STRUCTURE

NTS



SECTION

CASING DETAIL

$3/4" = 1'-0"$

NOTE:

- 1) CASING SPACER TO BE BY ADVANCE PRODUCTS AND SYSTEMS, INC. MODEL# SSI8-1024-CR OR APPROVED EQUAL.
- 2) CASING SPACERS TO BE PLACED APPROXIMATELY 8' APART WITH ONE LOCATED NEAR EACH PIPE PILE SUPPORT.